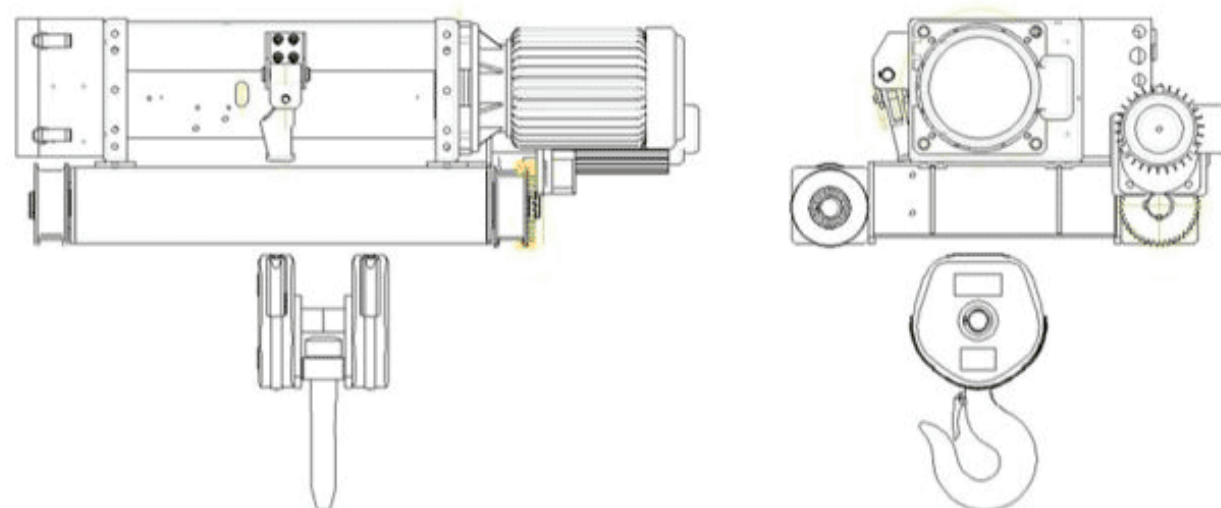


DOUBLE-RAIL TYPE: Rope Falls: 4/1



© Lifting speed, traversing speed are based on a power supply frequency of 50HZ
 © Standard Voltage: 380V,415V
 © Standard FEM level of Lifting Motor is 40%ED , 60%ED can be done by requests.
 © Inventor Control can be installed to all model by requests. Inventor Control is more suggested for the hoists over 25 Tons.

Capacity Ton	No. of Rope Falls F/R	Lift Height M	Lifting Speed (m/min)		Traversing Speed		Model	
			Single Speed	Double Speed	Single Speed	Double Speed	Single Speed	Double Speed
3	4/1	6.5	4	4/1.33	21	21/7	L03CA04015W211	L03CA04035W213
		6.5	6	6/2			L03CA06015W211	L03CA06035W213
		9.0	4	4/1.33			L03CB04015W211	L03CB04035W213
		9.0	6	6/2			L03CB06015W211	L03CB06035W213
		11.5	4	4/1.33			L03CC04015W211	L03CC04035W213
		11.5	6	6/2			L03CC06015W211	L03CC06035W213
		14.5	4	4/1.33			L03CD04015W211	L03CD04035W213
		14.5	6	6/2			L03CD06015W211	L03CD06035W213
5	4/1	7.0	4	4/1.33	21	21/7	L05CB04015W211	L05CB04035W213
		7.0	6	6/2			L05CB06015W211	L05CB06035W213
		9.0	4	4/1.33			L05CC04015W211	L05CC04035W213
		9.0	6	6/2			L05CC06015W211	L05CC06035W213
		11.5	4	4/1.33			L05CD04015W211	L05CD04035W213
		11.5	6	6/2			L05CD06015W211	L05CD06035W213
		15.0	4	4/1.33			L05CE04015W211	L05CE04035W213
		15.0	6	6/2			L05CE06015W211	L05CE06035W213
8	4/1	6.0	3	3/1	18	18/6	L08CB03015W181	L08CB03035W183
		6.0	4	4/1.33			L08CB04015W181	L08CB04035W183
		8.0	3	3/1			L08CC03015W181	L08CC03035W183
		8.0	4	4/1.33			L08CC04015W181	L08CC04035W183
		10.0	3	3/1			L08CD03015W181	L08CD03035W183
		10.0	4	4/1.33			L08CD04015W181	L08CD04035W183
		13.5	3	3/1			L08CE03015W181	L08CE03035W183
		13.5	4	4/1.33			L08CE04015W181	L08CE04035W183
10	4/1	6.0	3	3/1	18	18/6	L10CB03015W181	L10CB03035W183
		6.0	4	4/1.33			L10CB04015W181	L10CB04035W183
		6.0	6	-			L10CB06015W181	-
		8.0	3	3/1			L10CC03015W181	L10CC03035W183
		8.0	4	4/1.33			L10CC04015W181	L10CC04035W183
		8.0	6	-			L10CC06015W181	-
		10.0	3	3/1			L10CD03015W181	L10CD03035W183
		10.0	4	4/1.33			L10CD04015W181	L10CD04035W183
		10.0	6	-			L10CD06015W181	-
		13.5	3	3/1			L10CE03015W181	L10CE03035W183
		13.5	4	4/1.33			L10CE04015W181	L10CE04035W183
		13.5	6	-			L10CE06015W181	-
16	4/1	7.5	3	3/1	15	15/5	L16CC03015W151	L16CC03035W153
		7.5	4	4/1.33			L16CC04015W151	L16CC04035W153
		10.0	3	3/1			L16CD03015W151	L16CD03035W153
		10.0	4	4/1.33			L16CD04015W151	L16CD04035W153
		13.0	3	3/1			L16CE03015W151	L16CE03035W153
		13.0	4	4/1.33			L16CE04015W151	L16CE04035W153
20	4/1	6.5	3	3/1	15	15/5	L20CC03015W151	L20CC03035W153
		6.5	4	-			L20CC04015W151	-
		6.5	2	2/0.67			L20CC02015W151	L20CC02035W153
		8.7	3	3/1			L20CD03015W151	L20CD03035W153
		8.7	4	-			L20CD04015W151	-
		8.7	2	2/0.67			L20CD02015W151	L20CD02035W153
		12.0	3	3/1			L20CE03015W151	L20CE03035W153
		12.0	4	-			L20CE04015W151	-
		12.0	2	2/0.67			L20CE02015W151	L20CE02035W153
		12.0	2	2/0.67			L20CE02015W151	L20CE02035W153
25	4/1	6.2	3	3/1	15	15/5	L25CC03015W151	L25CC03035W153
		6.2	4	4/1.33			L25CC04015W151	L25CC04035W153
		8.5	3	3/1			L25CD04015W151	L25CD04035W153
		8.5	4	4/1.33			L25CD04015W151	L25CD04035W153
		12.0	3	3/1			L25CE03015W151	L25CE03035W153
		12.0	4	4/1.33			L25CE04015W151	L25CE04035W153
		15.0	3	3/1			L25CF03015W151	L25CF03035W153
		15.0	4	4/1.33			L25CF04015W151	L25CF04035W153
32	4/1	6.2	3	3/1	15	15/5	L32CC03015W151	L32CC03035W153
		8.0	3	3/1			L32CD03015W151	L32CD03035W153
		12.0	3	3/1			L32CE03015W151	L32CE03035W153

DOUBLE-RAIL TYPE: Rope Falls: 4/2

Capacity Ton	No. of Rope Falls F/R	Lift Height M	Lifting Speed (m/min)		Traversing Speed		Model	
			Single Speed	Double Speed	Single Speed	Double Speed	Single Speed	Double Speed
3	4/2	6.9	4	4/1.33	21	21/7	L03BB04015W211	L03BB04035W213
		6.9	6	6/2			L03BB06015W211	L03BB06035W213
		9.4	4	4/1.33			L03BC04015W211	L03BC04035W213
		9.4	6	6/2			L03BC06015W211	L03BC06035W213
		12.8	4	4/1.33			L03BD04015W211	L03BD04035W213
		12.8	6	6/2			L03BD06015W211	L03BD06035W213
5	4/2	7.0	4	4/1.33	21	21/7	L05BB04015W211	L05BB04035W213
		7.0	6	6/2			L05BB06015W211	L05BB06035W213
		9.5	4	4/1.33			L05BC04015W211	L05BC04035W213
		9.5	6	6/2			L05BC06015W211	L05BC06035W213
		13.0	4	4/1.33			L05BD04015W211	L05BD04035W213
		13.0	6	6/2			L05BD06015W211	L05BD06035W213
8	4/2	5.0	4	4/1.33	18	18/6	L08BB04015W181	L08BB04035W183
		7.5	4	4/1.33			L08BC04015W181	L08BC04035W183
		10.5	4	4/1.33			L08BD04015W181	L08BD04035W183
		15.5	4	4/1.33			L08BE04015W181	L08BE04035W183
10	4/2	5.0	4	4/1.33	18	18/6	L10BB04015W181	L10BB04035W183
		7.5	4	4/1.33			L10BC04015W181	L10BC04035W183
		10.5	4	4/1.33			L10BD04015W181	L10BD04035W183
		15.5	4	4/1.33			L10BE04015W181	L10BE04035W183
16	4/2	6.3	6	6/2	15	15/5	L16BC06015W151	L16BC06035W153
		9.6	6	6/2			L16BE06015W151	L16BE06035W153
		14.4	6	6/2			L16BB06015W151	L16BB06035W153

DOUBLE RAIL TYPE: Rope Falls: 2/1

Capacity Ton	No. of Rope Falls F/R	Lift Height M	Lifting Speed (m/min)		Traversing Speed		Model	
			Single Speed	Double Speed	Single Speed	Double Speed	Single Speed	Double Speed
3	2/1	8.2	4	4/1.33	21	21/7	L03AA04015W211	L03AA04035W213
		8.2	6	6/2			L03AA06015W211	L03AA06035W213
		11.0	4	4/1.33			L03AB04015W211	L03AB04035W213
		11.0	6	6/2			L03AB06015W211	L03AB06035W213
		13.8	4	4/1.33			L03AC04015W211	L03AC04035W213
		13.8	6	6/2			L03AC06015W211	L03AC06035W213
5	2/1	8.2	4	4/1.33	21	21/7	L05AA04015W211	L05AA04035W213
		8.2	6	6/2			L05AA06015W211	L05AA06035W213
		11.8	4	4/1.33			L05AB04015W211	L05AB04035W213
		11.8	6	6/2			L05AB06015W211	L05AB06035W213
		15.5	4	4/1.33			L05AC04015W211	L05AC04035W213
		15.5	6	6/2			L05AC06015W211	L05AC06035W213